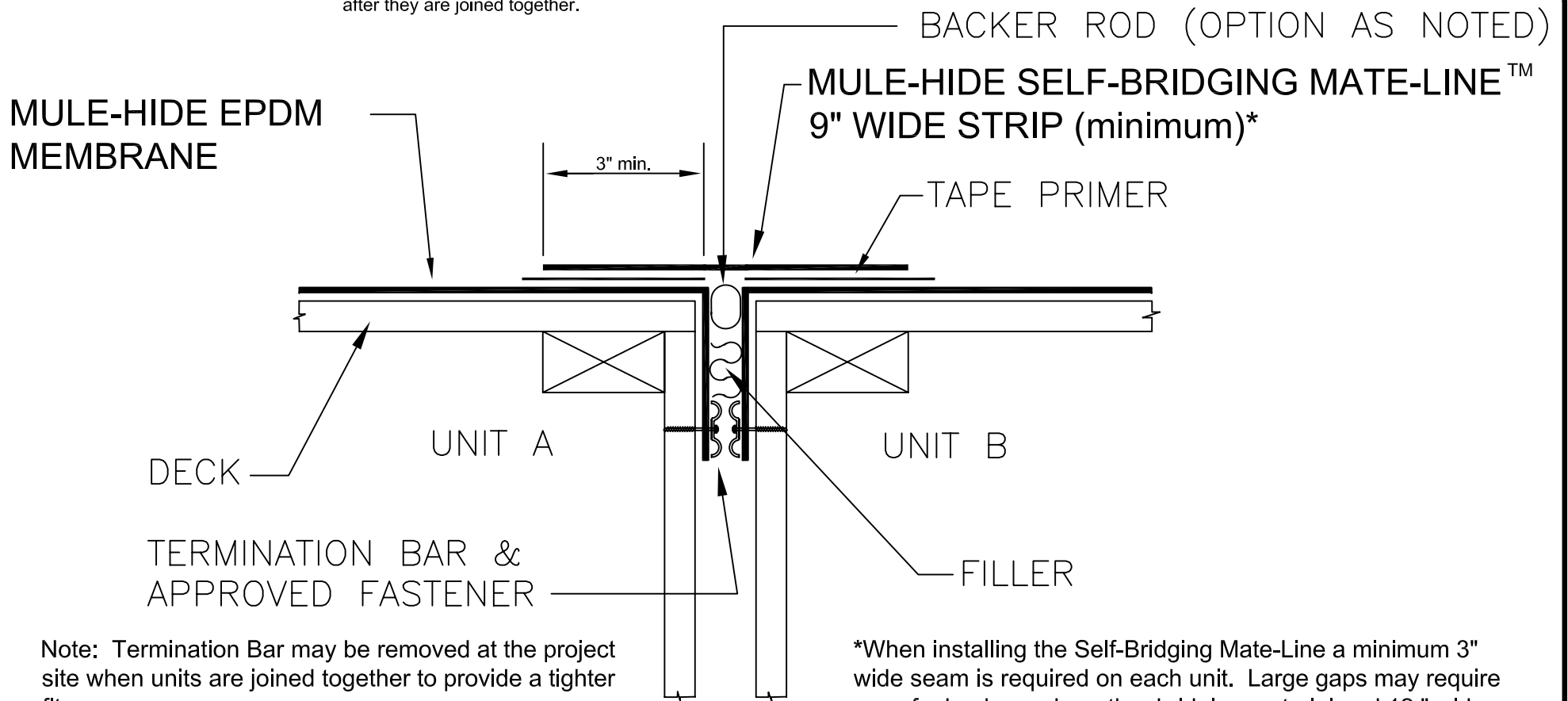


Note: Backer rod is only required when there is a large gap or units are not even after they are joined together.



Note: Termination Bar may be removed at the project site when units are joined together to provide a tighter fit.

\*When installing the Self-Bridging Mate-Line a minimum 3" wide seam is required on each unit. Large gaps may require use of a backer rod or other bridging material and 12" wide Self-Bridging Mate-Line.

**MULE-HIDE  
PRODUCTS CO., INC.  
2002**

SELF-BRIDGING MATE-LINE™

MODULAR SYSTEMS

DETAIL NO.:

**MHE-301A**