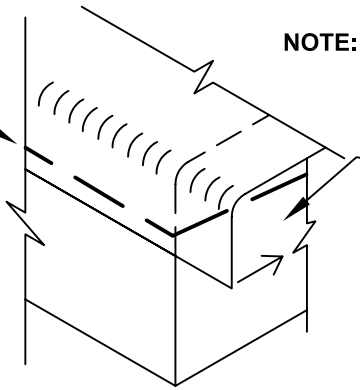
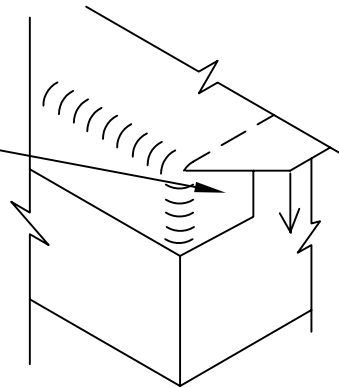


Note: Apply a bead of Water Cut-Off under the membrane or a 1" wide strip of butyl tape

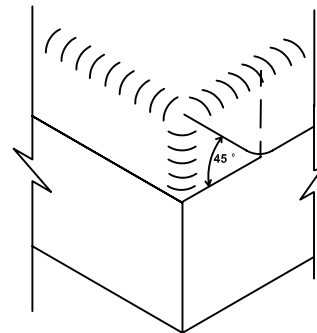


**STEP 1**

NOTE: APPLY SPLICE ADHESIVE TO SUBSTRATE AND MEMBRANE PRIOR TO FOLDING

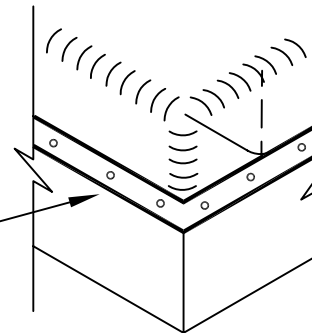


**STEP 2**



**STEP 3**

TERMINATION BAR FASTENED 6"o.c. (TOP OF BAR TO BE CAULKED WITH LAP SEALANT)



**STEP 4**

**MULE-HIDE  
PRODUCTS CO., INC.  
2002**

**CORNER FOLD DETAIL**

**MODULAR SYSTEMS**

DETAIL NO.:

**MHE-300**