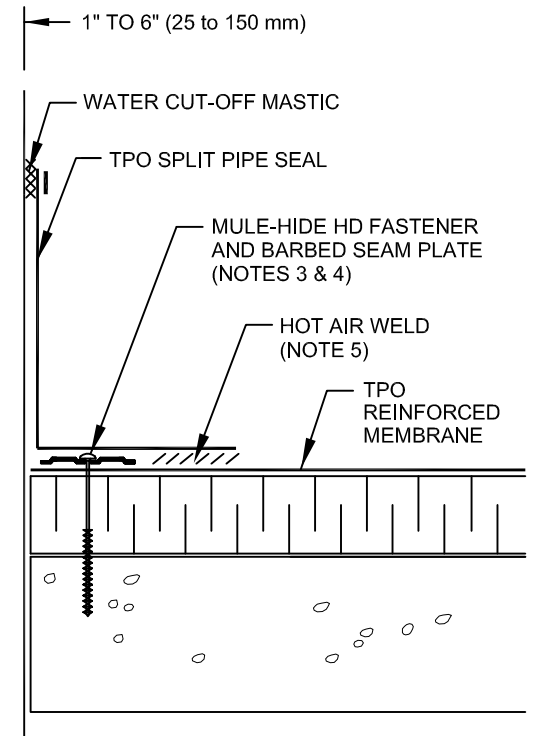
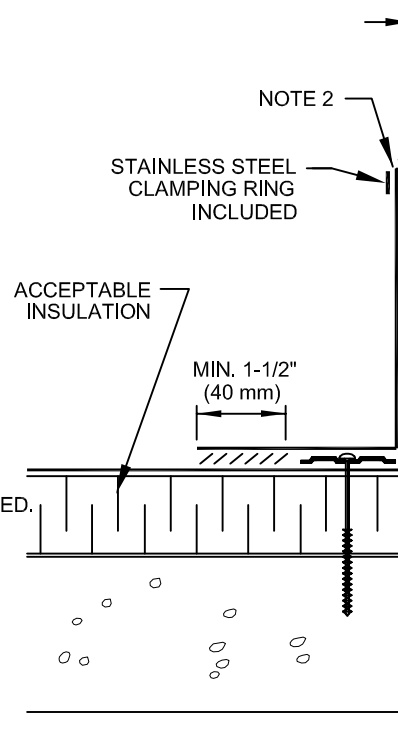


NOTES:

1. REMOVE ALL LEAD AND OTHER FLASHING.
2. TEMPERATURE OF PIPE MUST NOT EXCEED 120° F (49° C).
3. INSTALL 4 HD FASTENERS AND BARBED SEAM PLATES AROUND PIPE EQUALLY SPACED. FASTENERS MAY ALSO BE POSITIONED MAXIMUM 12" (300 mm) FROM PIPE, FASTENED 12" ON CENTER AND FLASHED WITH TPO REINFORCED MEMBRANE.

FASTENERS/PLATES ARE NOT REQUIRED ON ADHERED SYSTEMS UNLESS PIPE DIAMETER EXCEEDS 18" (500 m).
4. IF SEAM PLATES CANNOT BE INSTALLED AS SHOWN THEY CAN BE POSITIONED OUTSIDE THE PIPE FLASHING FLANGE AS SHOWN ON DETAIL MHT-UN-521A.
5. PIPE FLASHING DECK FLANGE MUST BE HOT AIR WELDED A MINIMUM OF 1-1/2" (40 mm) BEYOND SEAM PLATES.



**MULE-HIDE
PRODUCTS CO., INC.
2006**

TPO SPLIT PIPE SEAL

TPO SYSTEMS: ALL

DETAIL NO.:
MHT-UN-521C