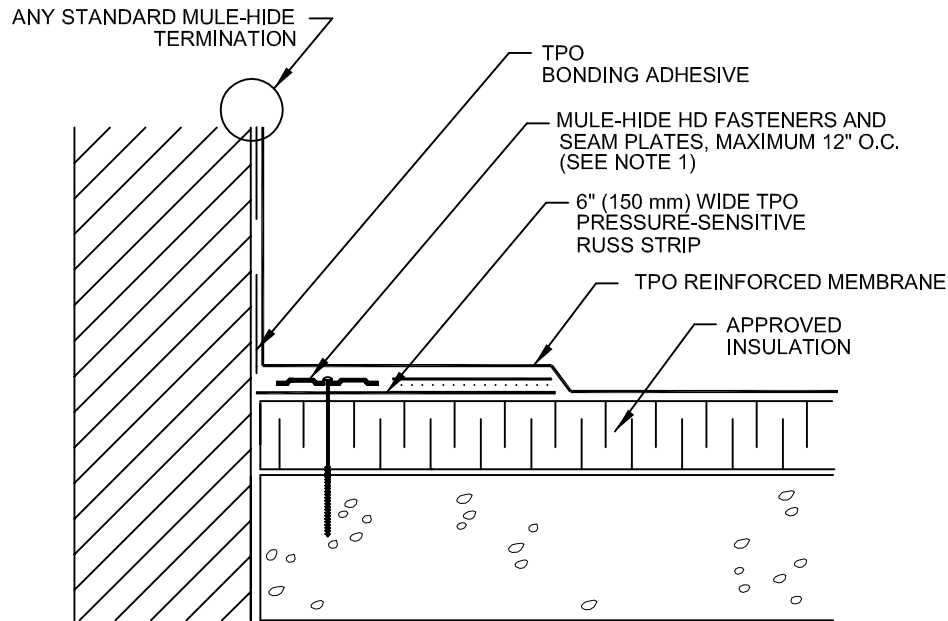


NOTES:

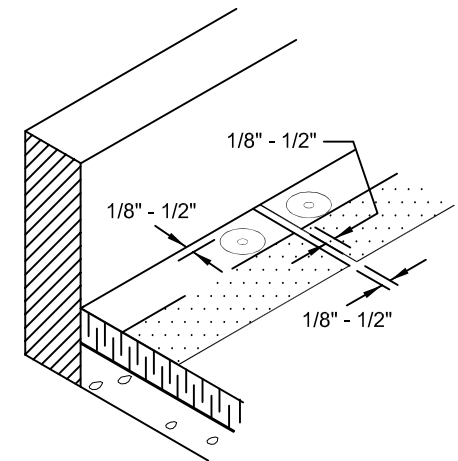
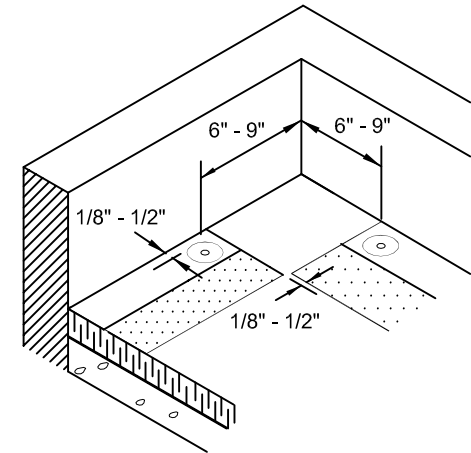
1. ON MECHANICALLY FASTENED SYSTEMS, M-H HD FASTENERS AND 2" BARBED SEAM PLATES OR EHD FASTENERS AND 2.4" BARBED SEAM PLATES ARE REQUIRED OVER STEEL AND WOOD DECKS. ON CONCRETE DECKS, CD-10, OR HD 14-10 FASTENERS ARE USED WITH 2" BARBED SEAM PLATES.

2. WHEN COUNTER-FLASHING IS USED FOR TERMINATION, BONDING ADHESIVE IS NOT REQUIRED WHEN FLASHING HEIGHT IS 12" (300 mm) OR LESS. WHEN COPING OR TERMINATION BAR IS USED, ADHESIVE MAY BE ELIMINATED WHEN FLASHING HEIGHT IS 18" (500 mm) OR LESS.

CREASE MEMBRANE AT ANGLE CHANGE TO LIMIT BRIDGING TO 3/4" (19 mm) MAXIMUM



MULE-HIDE TAPE PRIMER MUST BE APPLIED TO BACK SIDE OF TPO REINFORCED MEMBRANE PRIOR TO ADHERING TPO REINFORCED MEMBRANE TO PRESSURE-SENSITIVE RUSS



**MULE-HIDE
PRODUCTS CO., INC.
2006**

WALL FLASHING W/RUSS STRIP

TPO SYSTEMS: ALL

DETAIL NO.:
MHT-UN-305B