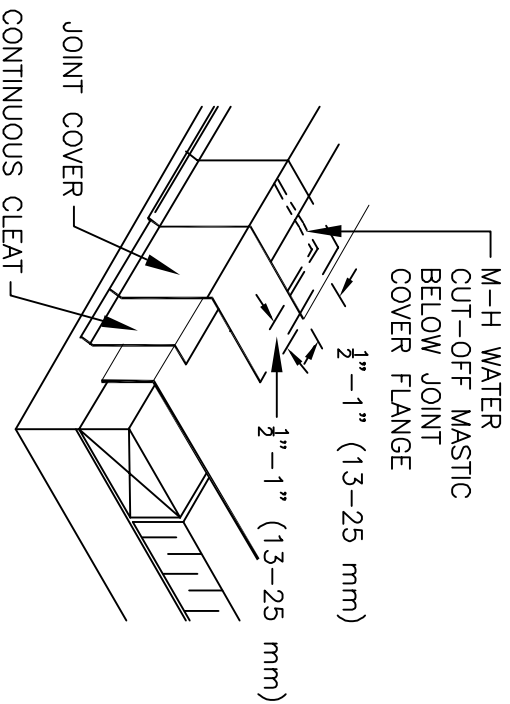
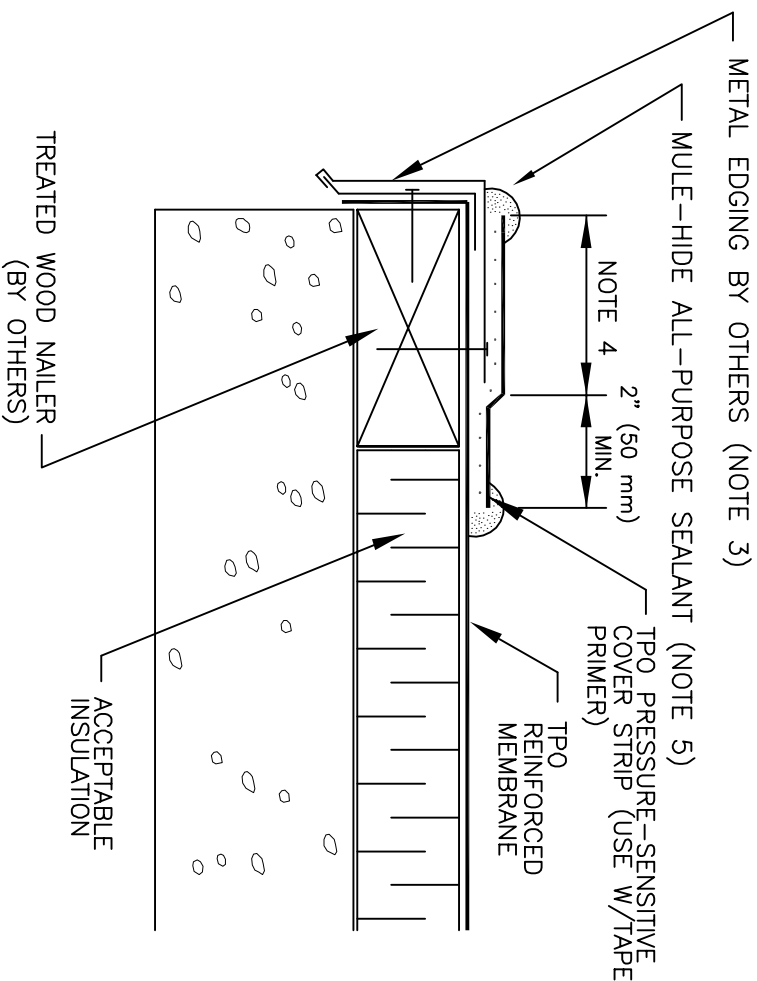


NOTES:

1. CLEAN THE EXISTING MEMBRANE (AND METAL IF APPLICABLE) WITH WEATHERED MEMBRANE CLEANER. PRIME THE MEMBRANE USING TAPE PRIMER. ONCE THE PRIMER IS PROPERLY DRIED, THE TPO PRESSURE-SENSITIVE COVER STRIP IS APPLIED AND ROLLED USING A 2" WIDE ROLLER.
2. TREATED WOOD NAILER MUST EXTEND PAST TOTAL WIDTH OF METAL FASCIA DECK FLANGE.
3. FASTENERS AND FASTENER PATTERN AS RECOMMENDED BY METAL EDGE MANUFACTURER.
4. DECK FLANGE MUST BE TOTALLY COVERED BY TPO PRESSURE-SENSITIVE COVER STRIP WITH MINIMUM 2" (50 mm) COVERAGE PAST NAIL HEADS.
5. APPLY MULE-HIDE ALL-PURPOSE SEALANT ALONG BOTH EDGES OF TPO COVER TAPE AND ACROSS ENDLAPS.



HEAT COVER STRIP AT SPLICE INTERSECTIONS PRIOR TO ROLLING TO CONFORM TO STEP-OFFS



NOTE:  
THIS DETAIL APPROVED FOR 20-YEAR SYSTEM WARRANTIES.

**MULE-HIDE**  
**PRODUCTS CO., INC.**

2009

**DRIP EDGE**  
**TPO PS COVER STRIP**  
**SYSTEMS:**  
**TPO**  
**ALL**

**DETAIL NO.:**  
**MHT-UN-106B**