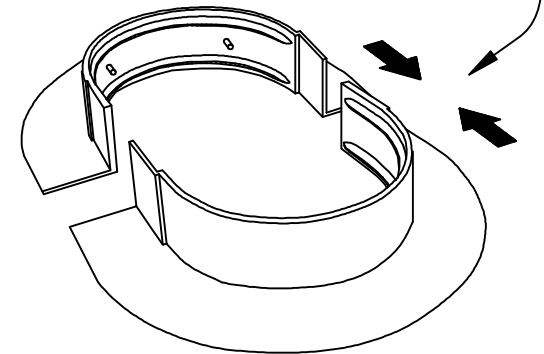


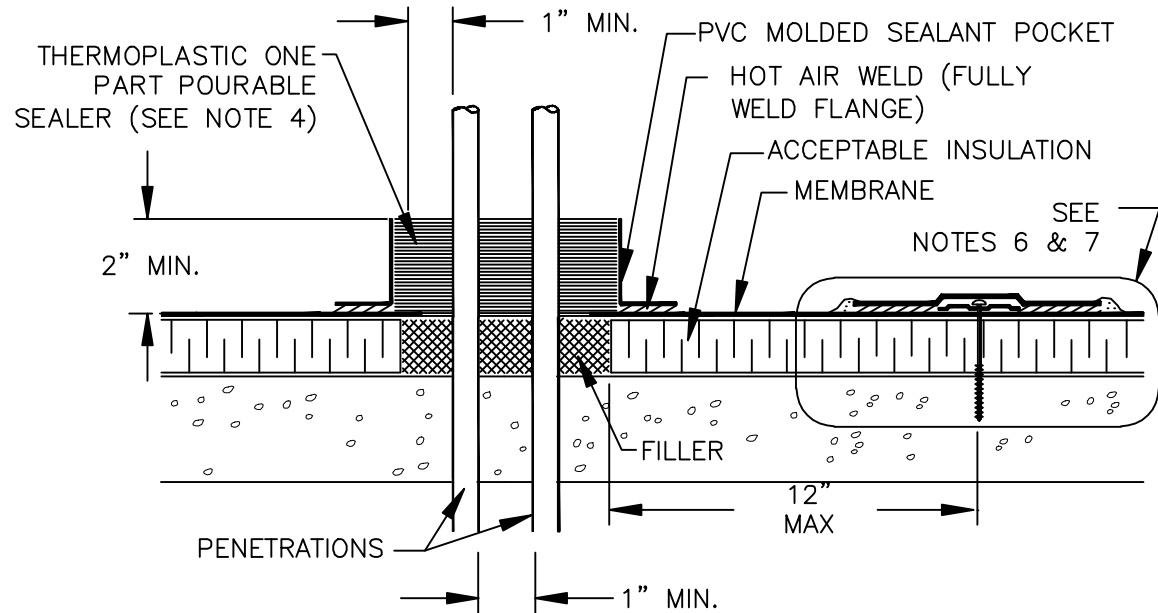
NOTES:

1. DETAILS TO BE USED IN CONJUNCTION WITH STANDARD GUIDE SPECIFICATIONS CONTAINING REQUIREMENTS FOR NAILERS, INSULATION, SLIPSHEETS, ETC.
2. PVC EDGE SEALANT IS REQUIRED ON ALL CUT OR NON-ENCAPSULATED EDGES OF REINFORCED MEMBRANE. THIS INCLUDES FACTORY CUT MEMBRANE.
3. TEMPERATURE OF PIPE MUST NOT EXCEED 120° F.
4. FILL POCKET COMPLETELY WITH THERMOPLASTIC ONE PART POURABLE SEALER UNTIL RIM IS COVERED WITH SEALANT; ENSURE ALL VOIDS ARE FILLED.
5. SEALANT POCKET TO BE MINIMUM 1" FROM PENETRATION ON ANY SIDE.
6. ON MECHANICALLY-FASTENED SYSTEMS, INSTALL A MINIMUM OF 4 FASTENING PLATES AROUND SEALANT POCKETS. FASTENERS/PLATES ARE NOT REQUIRED ON ADHERED SYSTEMS.
7. REFER TO MULE-HIDE UPLIFT RATINGS FOR APPROPRIATE BARBED SEAM PLATE DIAMETER, FASTENER SIZE, AND SPACING.

PLACE PVC MOLDED SEALANT POCKET AROUND PENETRATION AND OVERLAP THE TWO SECTIONS.



REFER TO TECHNICAL DATA BULLETIN (TDB) FOR STEP-BY-STEP INSTALLATION PROCEDURES



**MULE-HIDE  
PRODUCTS CO., INC.  
04/01/2007**

**MOLDED SEALANT POCKET  
SYSTEMS:  
ALL PVC**

**DETAIL NO:  
MHP-143**