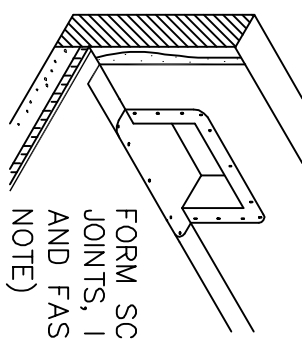


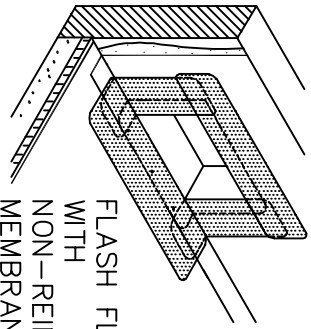
NOTES:

1. DETAILS TO BE USED IN CONJUNCTION WITH STANDARD GUIDE SPECIFICATIONS CONTAINING REQUIREMENTS FOR NAILERS, INSULATION, SLIPSHEETS, ETC.
2. PVC EDGE SEALANT IS REQUIRED ON ALL CUT OR NON-ENCAPSULATED EDGES OF REINFORCED MEMBRANE. THIS INCLUDES FACTORY CUT MEMBRANE.
3. WOOD NAILER MUST EXTEND PAST TOTAL WIDTH OF DECK FLANGE.
4. INSTALL WALL FLASHING PRIOR TO SCUPPER INSTALLATION.
5. DISCONTINUE FASTENING PLATES AT SCUPPER OPENING AS SHOWN.
6. MINIMUM 1-1/2" HOT AIR WELD FROM NAIL HEAD.

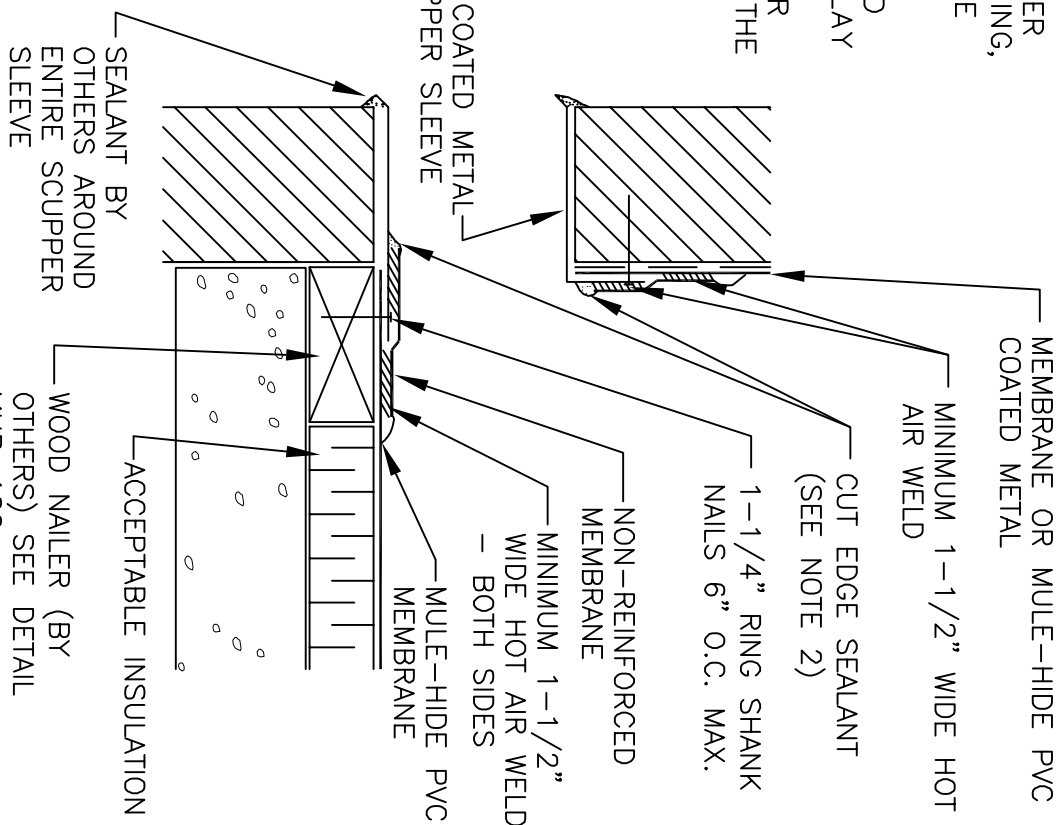


FORM SCUPPER AND SOLDER JOINTS, INSERT INTO OPENING, AND FASTEN FLANGES (SEE NOTE)

NOTE: FORM SCUPPER BOX OF PVC COATED METAL, TAPE THE METAL SEAM, AND OVERLAY WITH FLASHING BEFORE INSERTING INTO SCUPPER OPENING. POSITION THE SCUPPER BOX SO THE METAL SEAM IS LOCATED ON THE TOP OR SIDES OF THE SCUPPER.



FLASH FLANGES WITH NON-REINFORCED MEMBRANE



**MULE-HIDE**

**PRODUCTS CO., INC.**

04/01/2007

**(SOLDERED JOINTS) SCUPPER WITH COATED METAL SYSTEMS:**

ALL PVC

**DETAIL NO:**

**MHP-136**