

NOTES:

1. DETAILS TO BE USED IN CONJUNCTION WITH STANDARD GUIDE SPECIFICATIONS CONTAINING REQUIREMENTS FOR NAILERS, INSULATION, SLIPSHEETS, ETC.

2. PVC EDGE SEALANT IS REQUIRED ON ALL CUT OR NON-ENCAPSULATED EDGES OF REINFORCED MEMBRANE. THIS INCLUDES FACTORY CUT MEMBRANE.

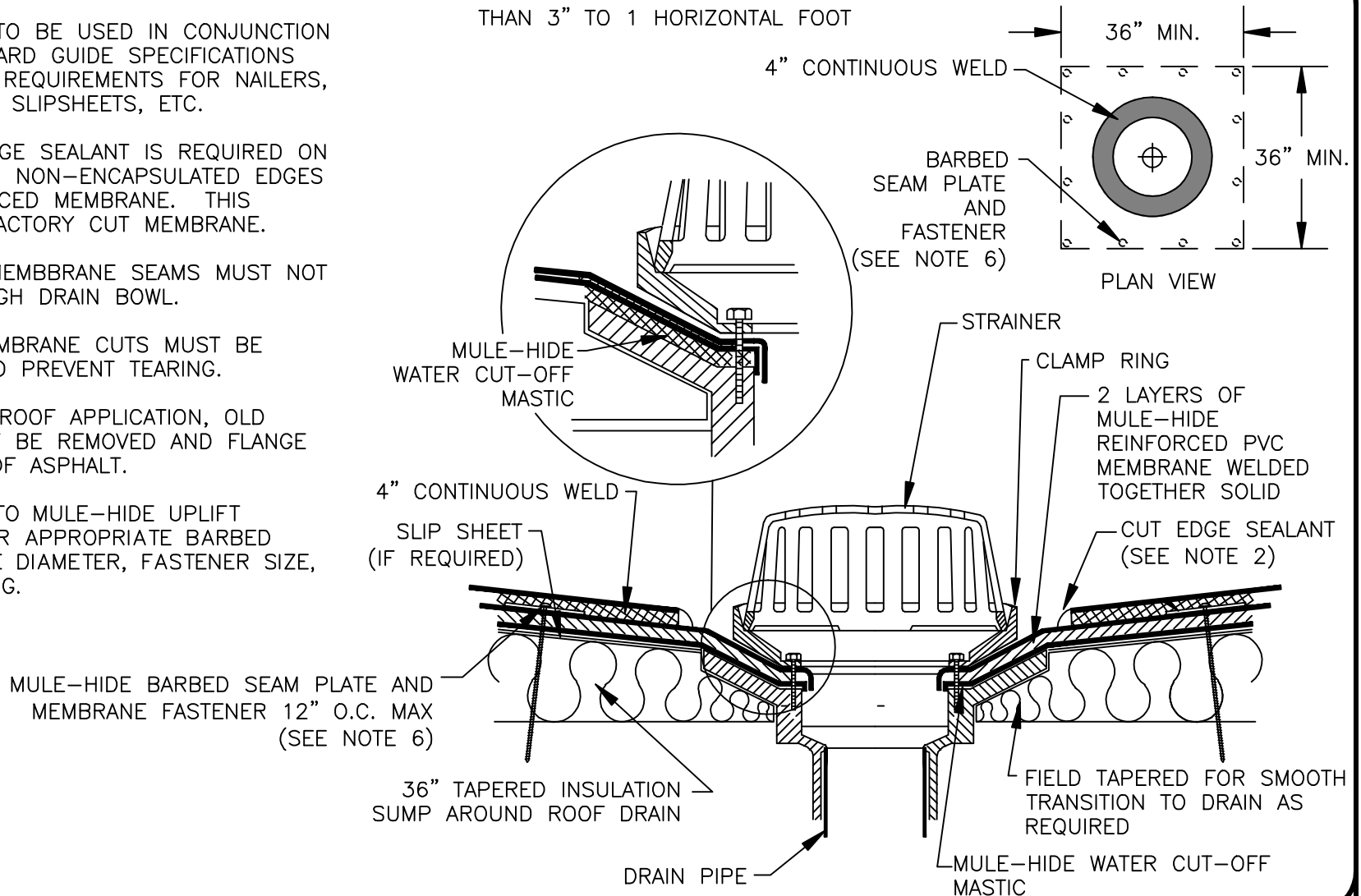
3. FIELD MEMBRANE SEAMS MUST NOT RUN THROUGH DRAIN BOWL.

4. ALL MEMBRANE CUTS MUST BE ROUNDED TO PREVENT TEARING.

5. FOR REROOF APPLICATION, OLD LEADS MUST BE REMOVED AND FLANGE CLEANED OF ASPHALT.

6. REFER TO MULE-HIDE UPLIFT RATINGS FOR APPROPRIATE BARBED SEAM PLATE DIAMETER, FASTENER SIZE, AND SPACING.

FOR DRAINS WITH TAPERED INSULATION AT DRAIN SUMP LESS THAN 3" TO 1 HORIZONTAL FOOT



**MULE-HIDE
PRODUCTS CO., INC.
04/01/2007**

**MECHANICALLY FASTENED TARGET
ROOF DRAIN
SYSTEMS:
MECHANICALLY FASTENED PVC**

**DETAIL NO:
MHP-134**