

NOTES:

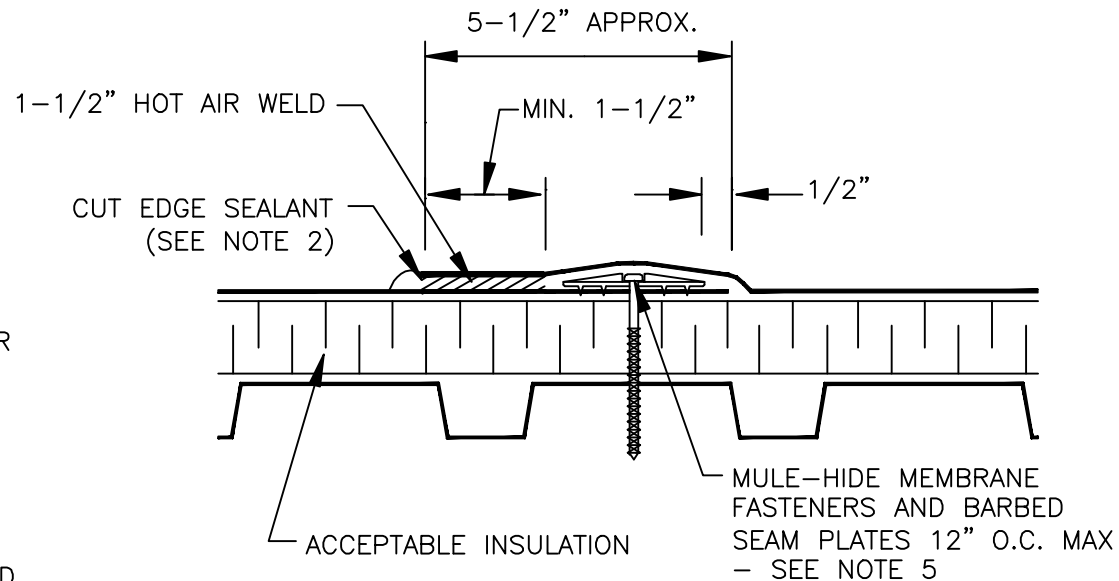
1. DETAILS TO BE USED IN CONJUNCTION WITH STANDARD GUIDE SPECIFICATIONS CONTAINING REQUIREMENTS FOR NAILERS, INSULATION, SLIPSHEETS, ETC.

2. PVC EDGE SEALANT IS REQUIRED ON ALL CUT OR NON-ENCAPSULATED EDGES OF REINFORCED MEMBRANE. THIS INCLUDES FACTORY CUT MEMBRANE.

3. REFER TO SPECIFICATIONS FOR ACCEPTABLE FASTENERS FOR OTHER DECK TYPES. IF A FACTORY MUTUAL RATING IS REQUIRED, REFER TO MULE-HIDE CODE APPROVAL GUIDE FOR SPECIFIC REQUIREMENTS.

4. POSITION BARBED SEAM PLATES BEYOND NON-REINFORCED ENCAPSULATED EDGE.

5. REFER TO MULE-HIDE UPLIFT RATINGS FOR APPROPRIATE BARBED SEAM PLATE DIAMETER, FASTENER SIZE, AND SPACING.



**MULE-HIDE
PRODUCTS CO., INC.
04/01/2007**

**LAP CROSS SECTION
SYSTEMS:
MECHANICALLY FASTENED PVC**

**DETAIL NO:
MHP-112**